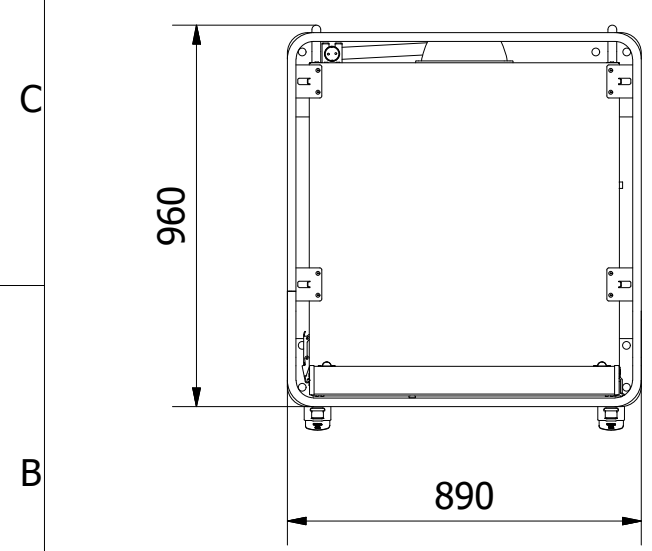


A-A (1:19)



A3
 Denna ritning är Scanboxs egendom och får ej utan vårt skriftliga medgivande ändras, kopieras eller delges annan firma eller person.
 This drawing is the property of ScanBox and shall not without our written consent in any way be altered, copied or communicated to any other company or person.

Tol. unless noted: ISO 2768-cL. Sharp edges broken	Designed by ZD	Approved by	Date	Material	Date 2019-02-13	Scale 1:20
ScanBox					Description CM BL H16 Plate Optimized 700x680	
					Drawing nr / Art.nr. 198190-1	